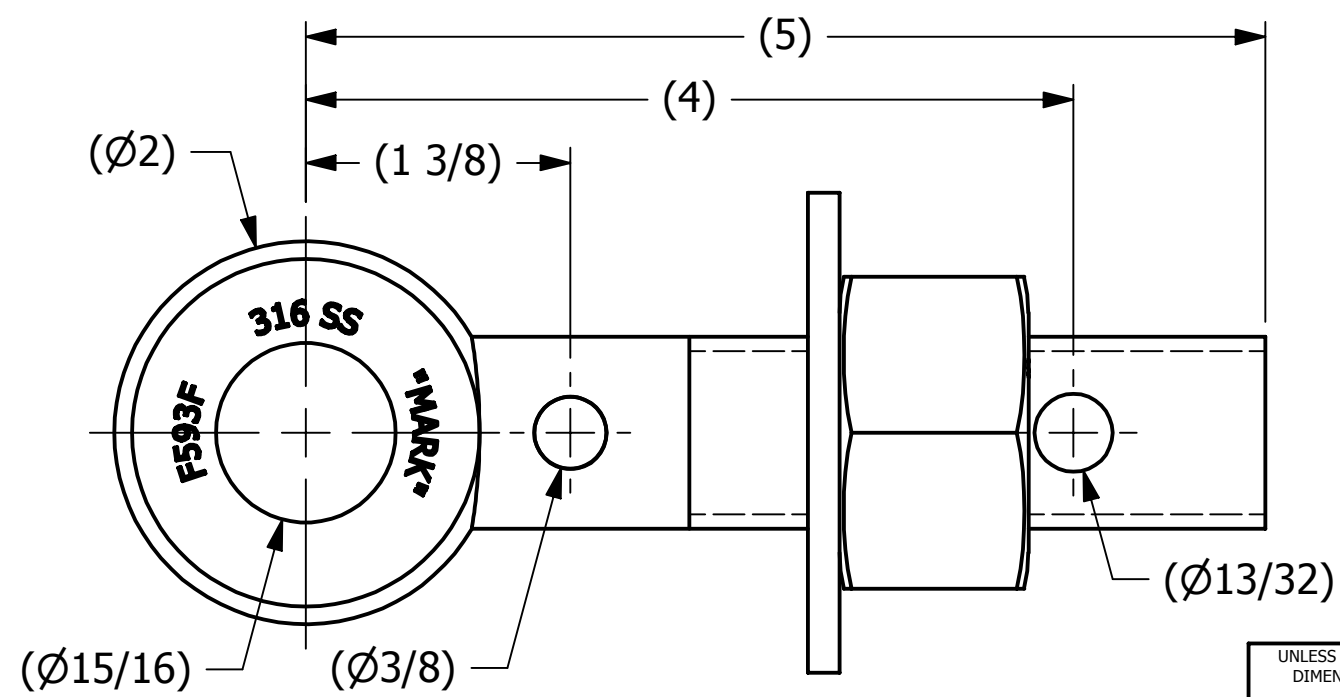
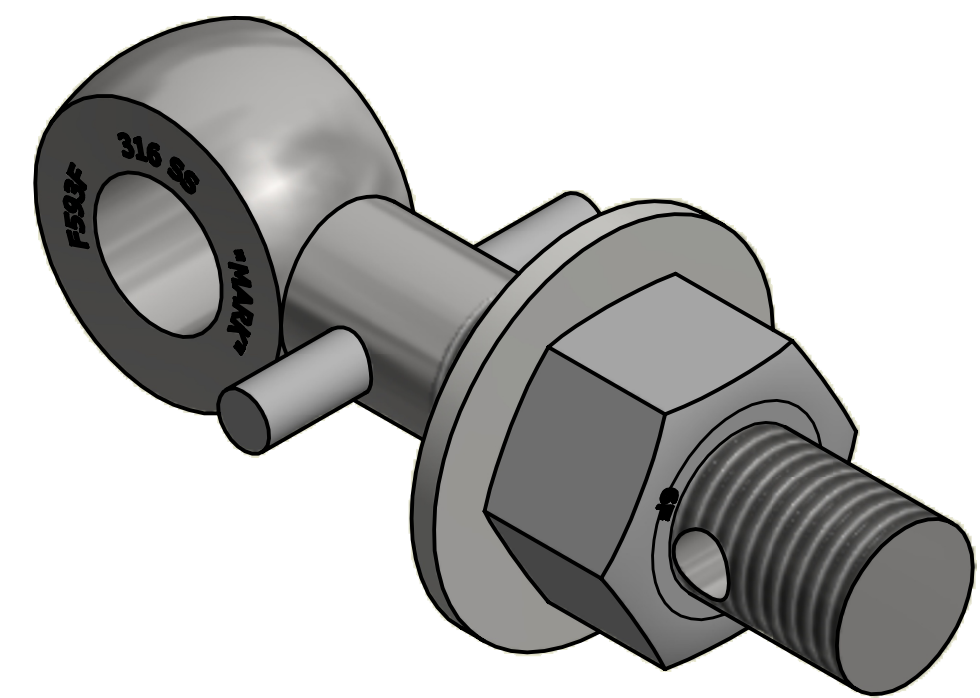
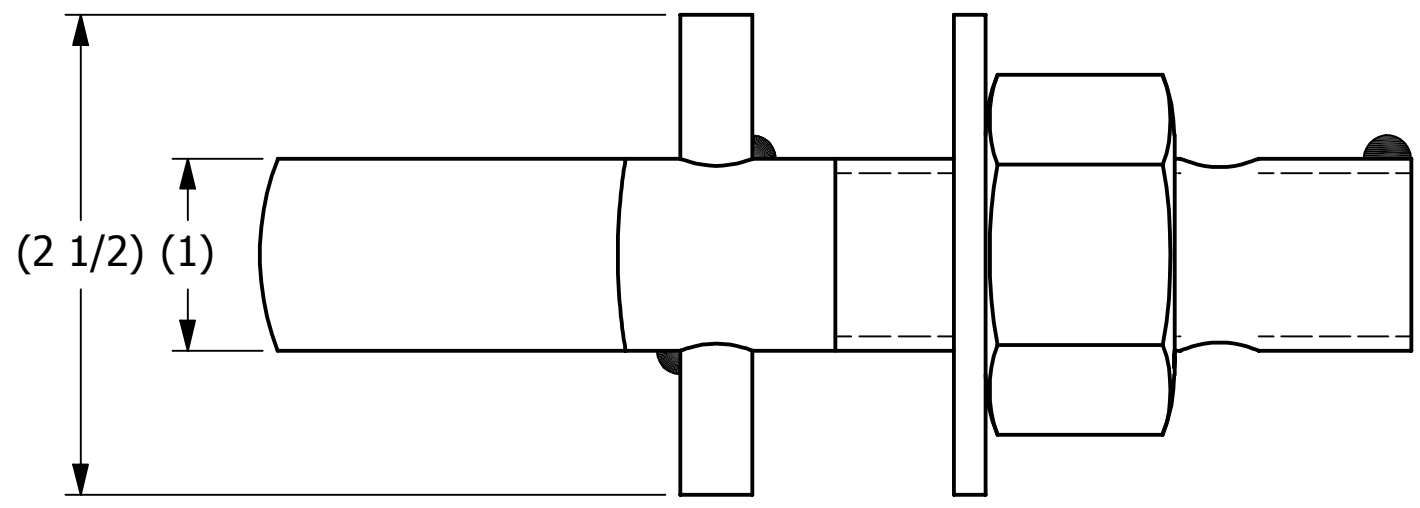


SALES DRAWING

SALES DRAWING



B	CHL	10-25-10	REPLACED WASH1S4 W/WASH1S6
A	FOD	8-4-99	UPDATED BOM, ITEM #1 WAS EB15HS6P
REV	BY	DATE	DESCRIPTION

<small>UNLESS OTHERWISE SPECIFIED DIMENSIONAL TOLERANCES</small> FRACTIONAL: $\pm 1/16$ X.XX: $\pm .03$ X.XXX: $\pm .015$ ANGULAR: $\pm 1^\circ$ <small>DEBURR ALL SHARP EDGES. ALL MACHINED SURFACES TO HAVE A 125 RMS FINISH UNLESS NOTED OTHERWISE.</small> <small>THIRD ANGLE PROJECTION</small>	DRAWN BY:	FOD
	CHECKED BY:	SAB
	PROTOTYPE BY:	FOD
	PROTOTYPE DATE:	5/11/1999
	APPROVED FOR PRODUCTION BY:	SAB
	PRODUCTION DATE:	5/11/1999

<b>SALCO PRODUCTS, INC.</b>		
PART NAME: <b>EYEBOLT ASSEMBLY 1"X5"</b>		
MATERIAL: <b>STAINLESS STEEL</b>		
PROJECT #:	SHEET #: 1 OF 1	SCALE: 1:1
DRAWING #: <b>B13423</b>	PART #: <b>EB15XHAS6P</b>	

THIS PRINT, PROPERTY OF SALCO PRODUCTS INC., CONTAINS PROPRIETARY INFORMATION AND MUST NOT BE COPIED, REPRODUCED, OR USED DETRIMENTALLY TO OUR INTEREST.